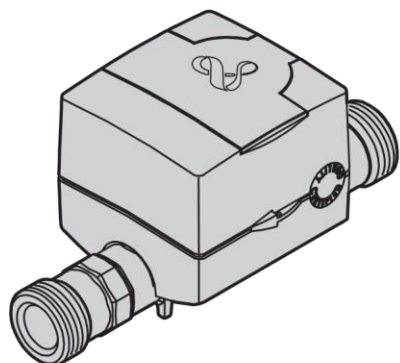
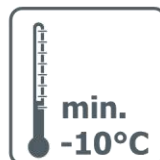
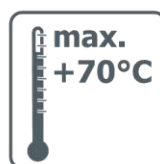
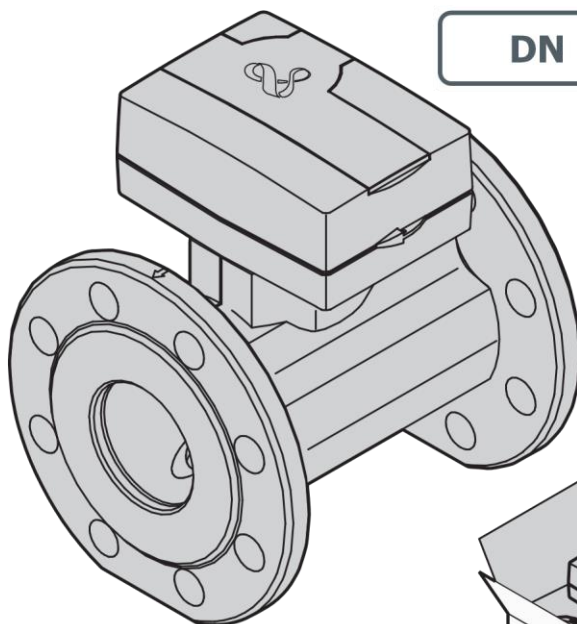


HYDRUS

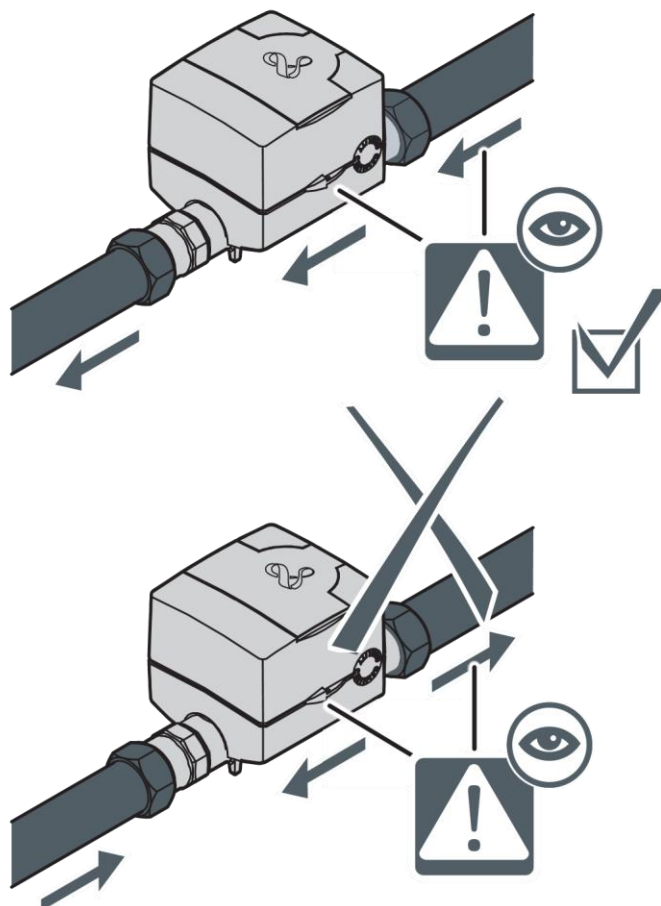
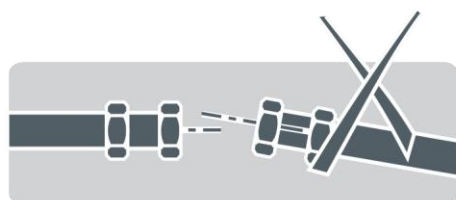
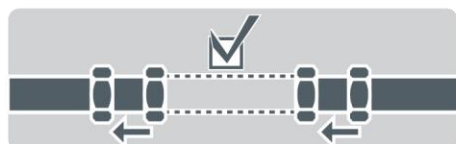
DN 15 ... 50

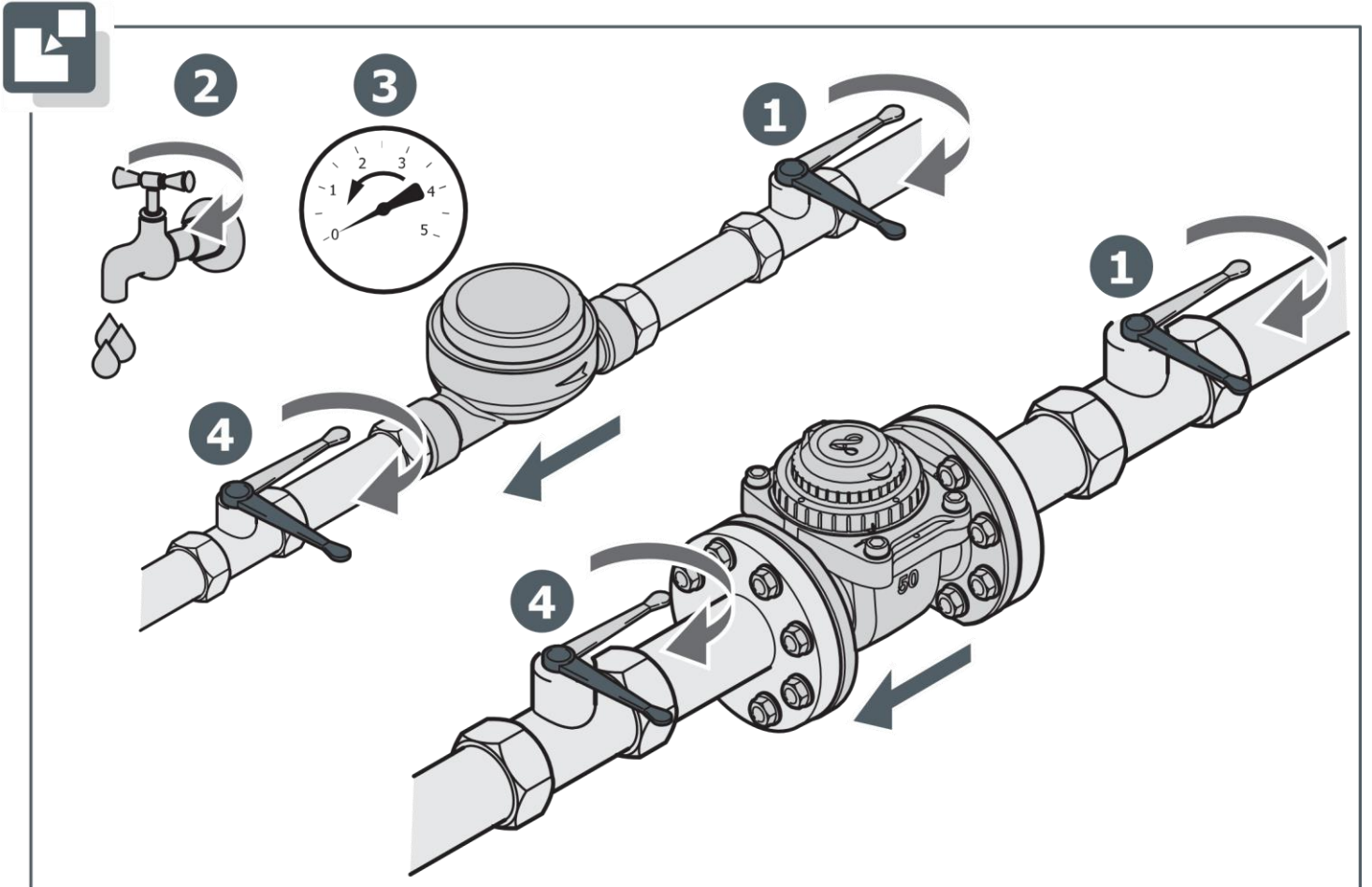
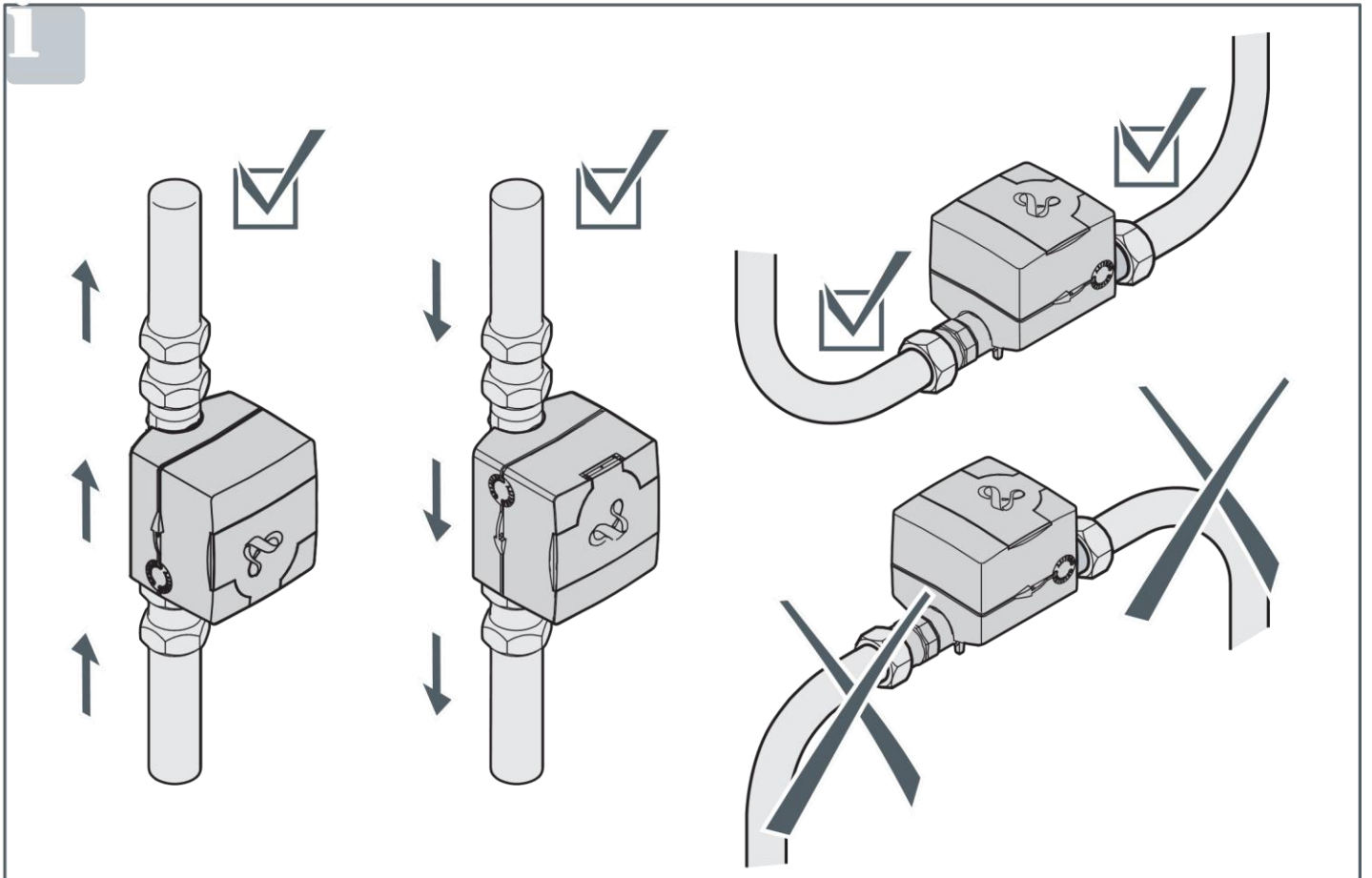


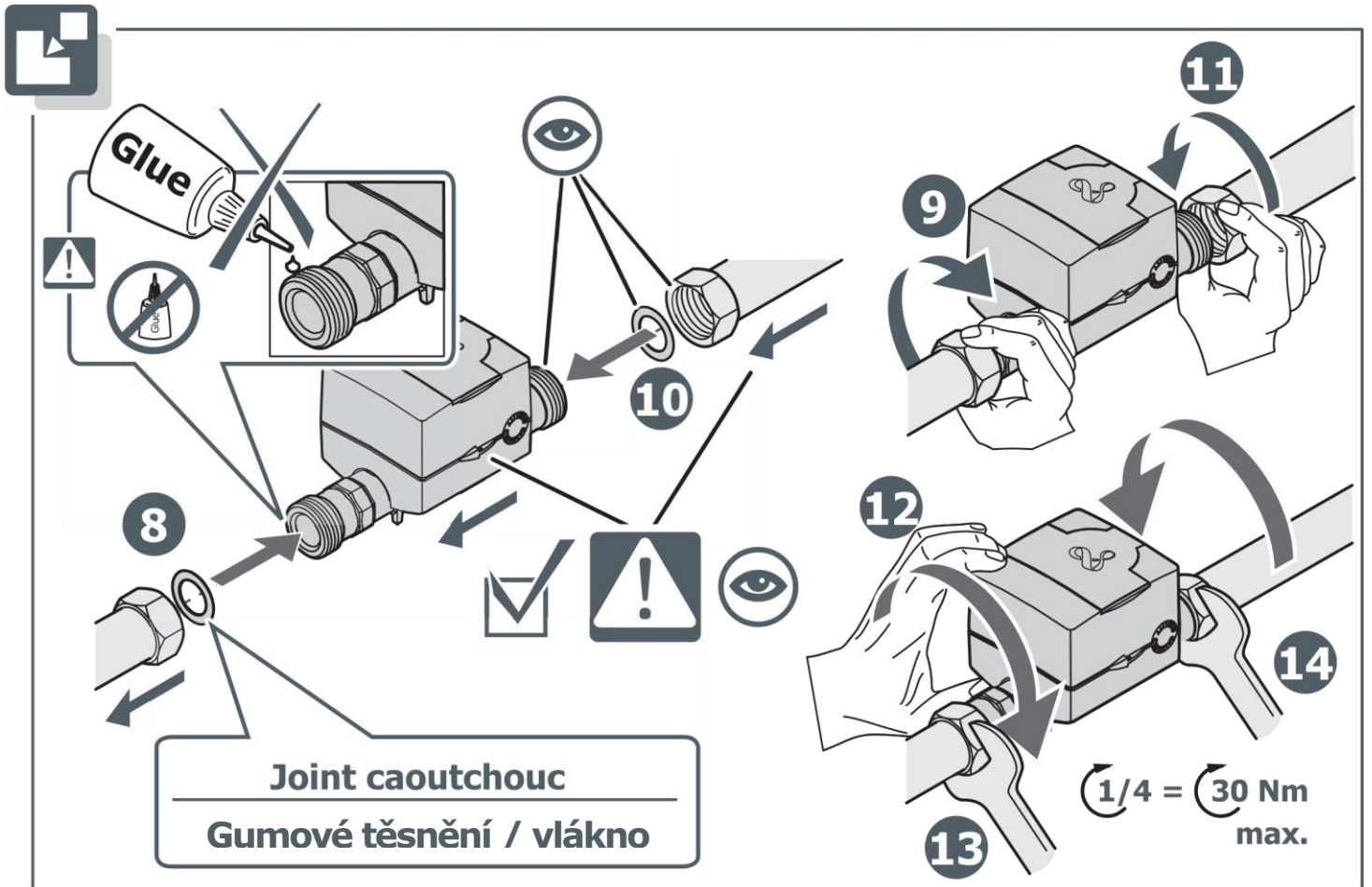
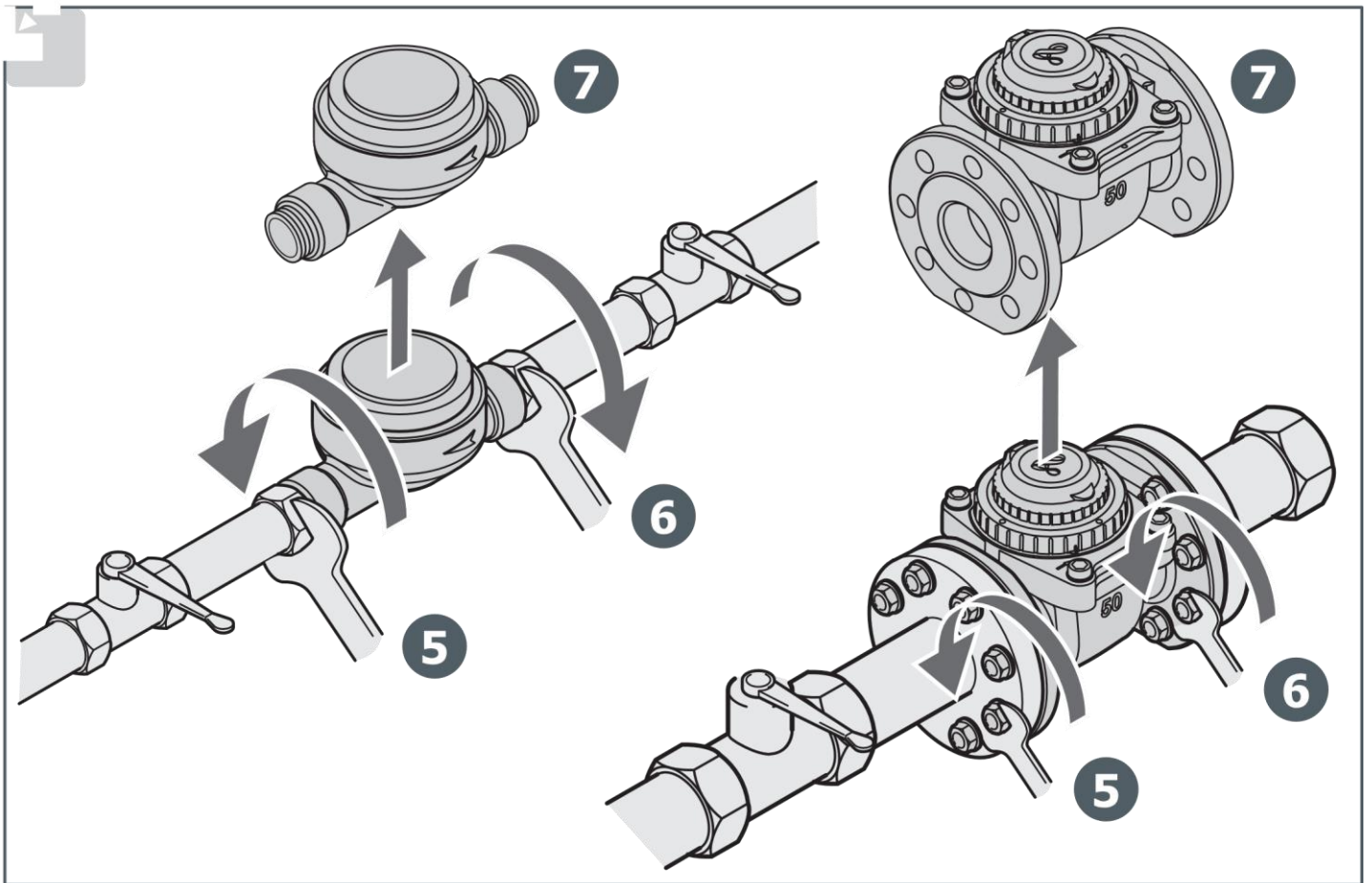
DN 50 ... 200

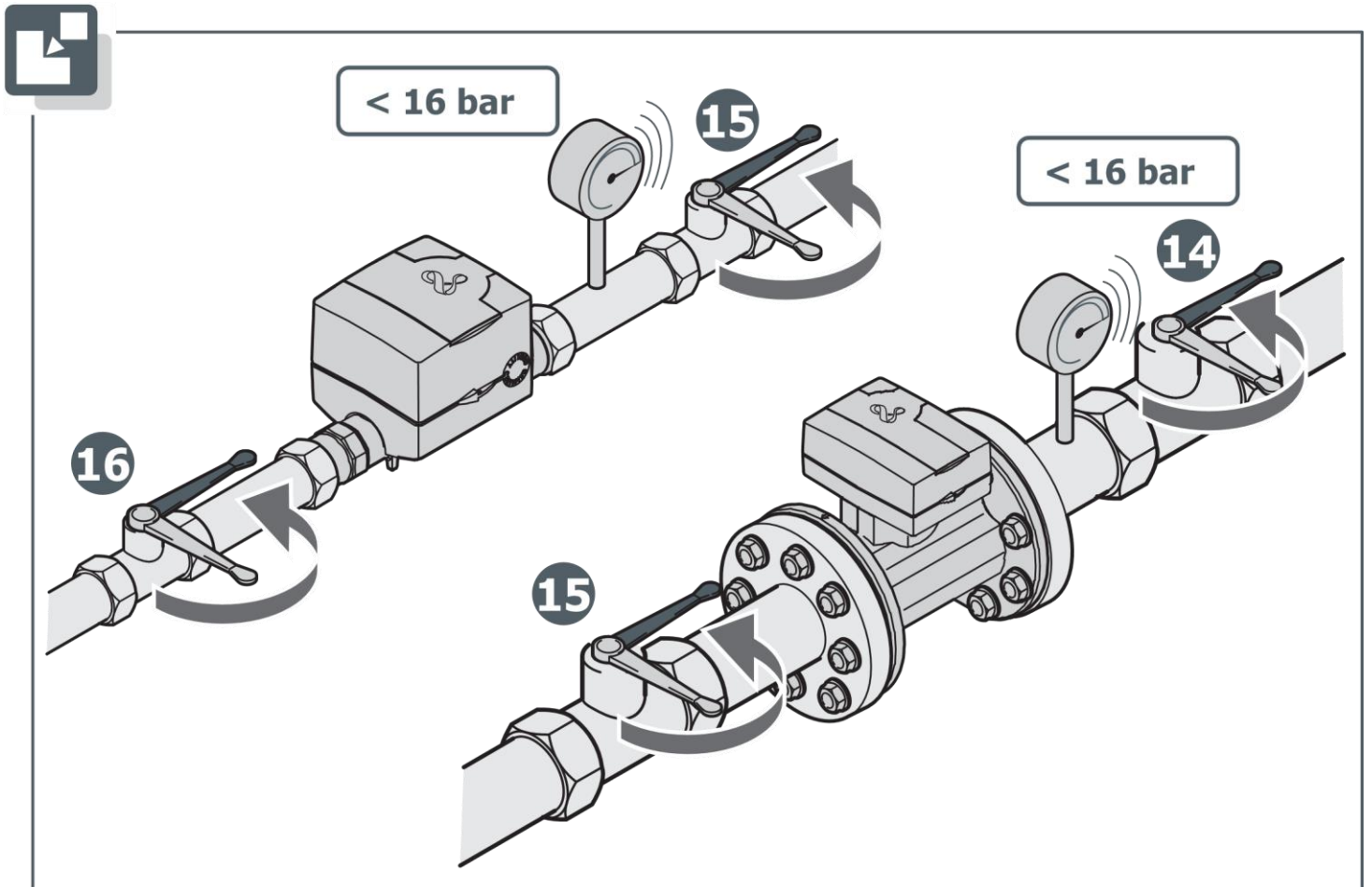
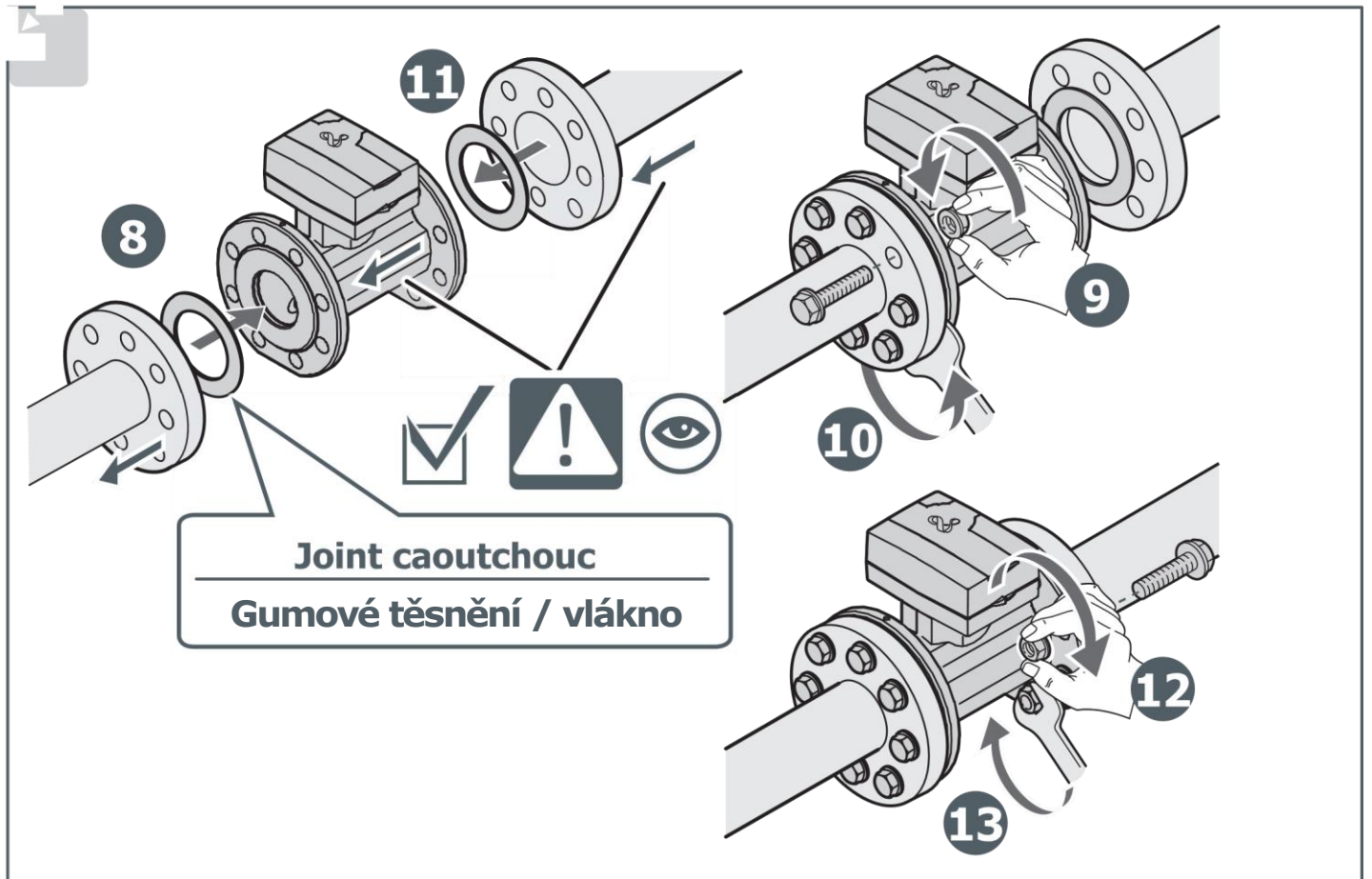


i



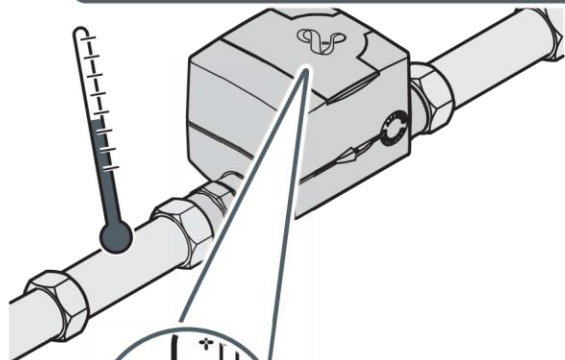








+0.1 °C ... +90 °C

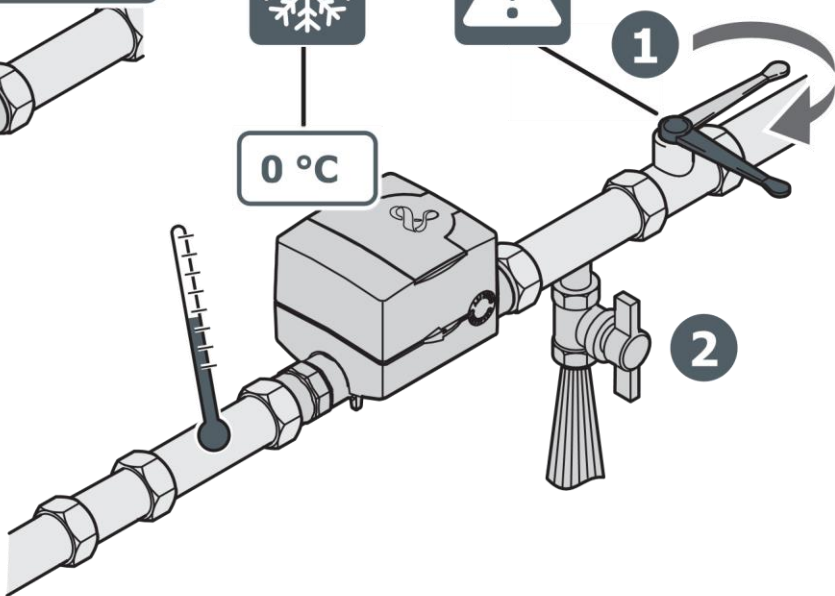


T50

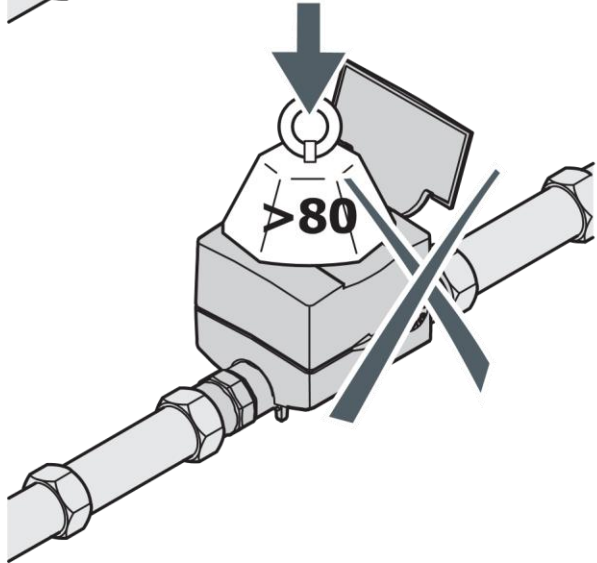
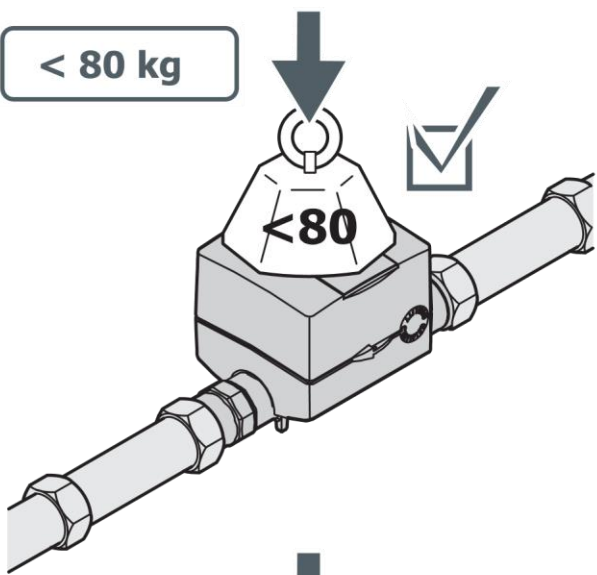
= max. 50 °C



0 °C



< 80 kg



< 120 kg

